

PFA122

Junction Box



Features

Material: Aluminum

Junction Box

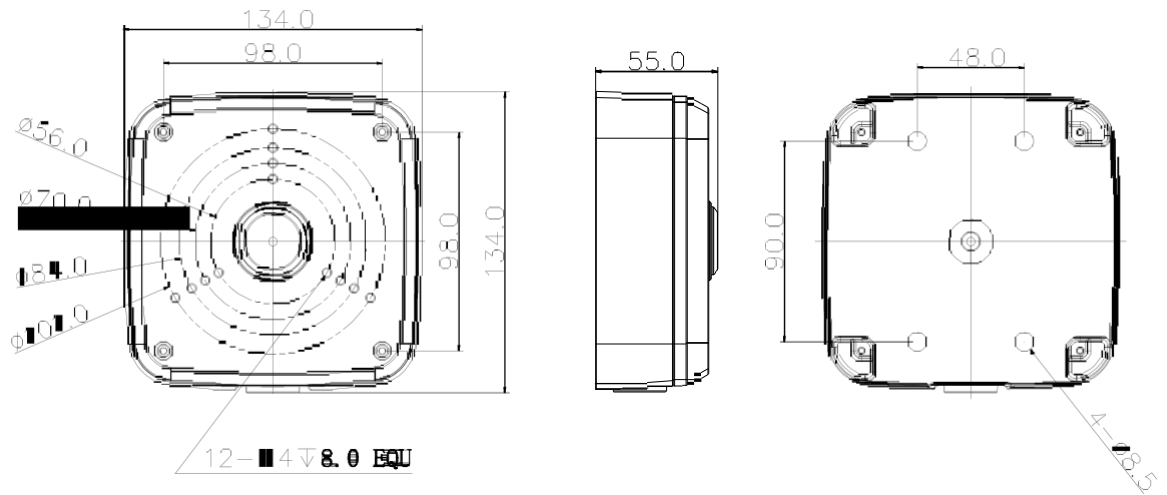
Neat & Integrated design

Specifications

Model	PFA122
General	
Material	Aluminum
Dimension (W x D x H)	134mm x 134mm x 55mm
Pipe Thread	N/A
Operating Temperature	-40°C ~60°C
Humidity	0~90% RH
Load Bearing	3Kg
Weight	0.5Kg
Applicable Model	CA-FW[G/R], HAC-HFW[S/R], HDC-HFW[C/S], IPC-HFW[C/S/R], CA-DW[E/F/H], IPC-HDW[S], HAC-HDW[S/C]

PFA122

Dimensions (mm)



Application

