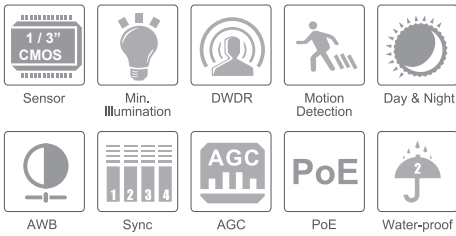


IP-VP8S30-3.6

H.264 8Mp Network Mini Vandal Camera



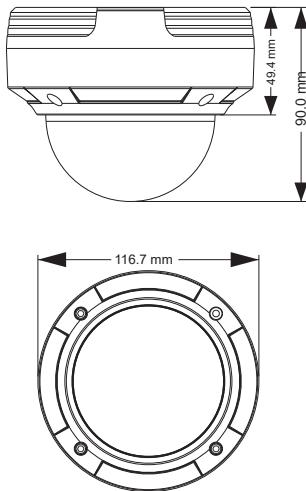
Specifications

Model	IP-5VP8S30-3.6
Camera	
Image Sensor	1/3" Sony Sensor
Image Size	3840 x 2160
Electronic Shutter	1 / 25 s ~ 1 / 100000 s
Iris Type	Fixed Iris
Min. Illumination	0.01 lux @F1.2, AGC ON; 0 lux with IR
Lens	3.6 mm @F1.6, horizontal field of view : 87.7°
Lens Mount	M12
Day & Night	ICR
Wide Dynamic Range	Digital WDR
BLC	Yes
HLC	Yes
Digital NR	2D / 3D DNR
Angle Adjustment	Pan: 0°~ 355°, Tilt: 0°~ 67°, Rotation: 0°~ 355°
Image	
Video Compression	H.265 MP; H.264 BP / MP / HP; MJPEG
Resolution	8MP (3840x2160), 2K (2560x1440), 3MP (2304x1296), 1080P (1920x1080), 720P (1280x720), D1, CIF, 480x240
Main Stream	60Hz : 8MP (1 ~ 15fps) / 2K (1 ~ 30fps) / 3MP (1 ~ 30fps) / 1080P (1 ~ 30fps) / 720P (1 ~ 30fps) 50Hz : 8MP (1 ~ 15fps) / 2K (1 ~ 25fps) / 3MP (1 ~ 25fps) / 1080P (1 ~ 25fps) / 720P (1 ~ 25fps)
Bit Rate	128 Kbps ~ 16 Mbps
Bit Rate Type	VBR / CBR
Quality	Five levels under VBR; Freely adjustable under CBR
Image Settings	ROI, Saturation, Brightness, Chroma, Contrast, Wide Dynamic, Sharpen, NR, etc. adjustable through client software or web browser
Audio Compression	G711A / U
ROI	Each ROI to be configured separately
Interfaces	
Network	RJ45 x 1, 10M / 100M self-adaption
Functions	
Remote Monitoring	IE browsing, CMS remote control
Online Connection	Support simultaneous monitoring for up to 10 users; Support multi-stream real time transmission
Network Protocol	TCP / IP, UDP, DHCP, NTP, RTSP, PPPoE, DDNS, SMTP, FTP
Interface Protocol	ONVIF, GB-T/28181-2011
Storage	Network remote storage
Smart Alarm	Motion alarm
Smart Analysis	Object removal detection, line crossing detection and intrusion detection, etc.
PoE	Yes
IR Distance	33 ~ 66ft (10 ~ 20 m)
Ingress Protection	IP66, IK10
Others	
Power Supply	DC12V / PoE
Power Consumption	< 6W
Operating Environment	-4°F ~ 122 °F (- 20 °C ~ 50 °C), 10 % ~ 90 % relative humidity
Dimensions	4.6" x 3.5" (Φ117 x 90mm)
Weight (net)	1.3Lbs (593g)

Key Features

- 1/3" 8MP Sony Sensor
- DWDR, 2D/3D DNR
- IR Distance: 33~66ft
- 24 IR
- 3.6mm Fixed Lens
- IP66, IK10, 12V DC / PoE

Dimensions



Design and specifications are subject to change without notice.

www.EasternCCTV.com

Headquarters

50 Commercial St.,
Plainview, NY 11803

TEL: 516-870-3779 FAX: 516-390-1200

Queens, NY

129-04 14th Ave.,
College Point, NY 11356

TEL: 718-939-2710 FAX: 718-939-2713

E. Los Angeles, CA

110 California Ave.,
City of Industry, CA, 91744

TEL: 626-961-8810 FAX: 626-961-8809

N. Hollywood, CA

13761 Saticoy St.
Panorama City, CA 91402

TEL: 818-924-9021 FAX: 818-849-5127

Miami, FL

4515 NW 72nd Ave.
Miami, FL 33166

TEL: 305-423-1329 FAX: 786-717-7282

Houston, TX

3790 Westchase Dr.,
Houston, TX 77042

TEL: 832-308-5282 FAX: 832-925-7454